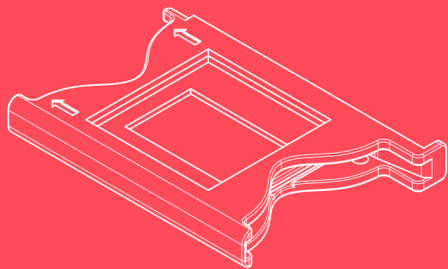
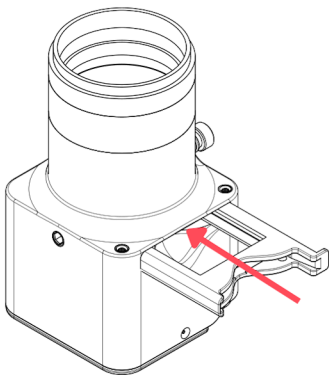


VALOI

easy³⁵



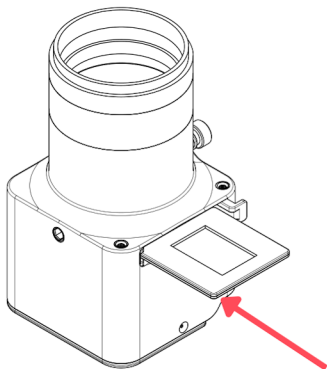
Slide Holder



Insert the Slide Holder with the **arrows in and upwards**, with the **thumb cut-out matching that of the easy35 body**.

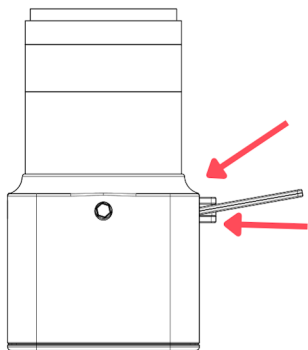
Lightly tighten the fastening screw. **Ensure it is not too tight.**

To remove it, unscrew the fastening screw and push it out or pull on the small handle.



To scan the first slide, insert it from the entry side, where the thumb cut-out is located.

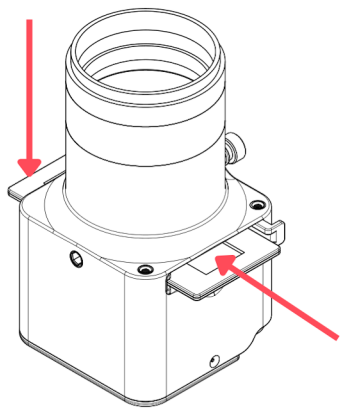
Thin or damaged cardboard mounted slides might jam or be further damaged in this holder. Please be careful with fragile slides.



To scan the **second slide**, you push out the first slide with the second.

To do this, **angle the slide** slightly as it goes in and put **downwards pressure** on it - as if you were scooping out the first slide from a ditch.

Ensure that the second slide **does not end up on-top** of the first slide, as this might cause them to jam and damage the springs inside.



To remove the last slide, simply **use another slide** and push out the remaining slide until it sticks out.

Now you can grab it with your fingers and remove both slides from either end.

www.valoi.co